

GREGORY 41083

PENDANTS

PROJECT



41083B
Black



41083W
White

SPECIFICATION DETAILS

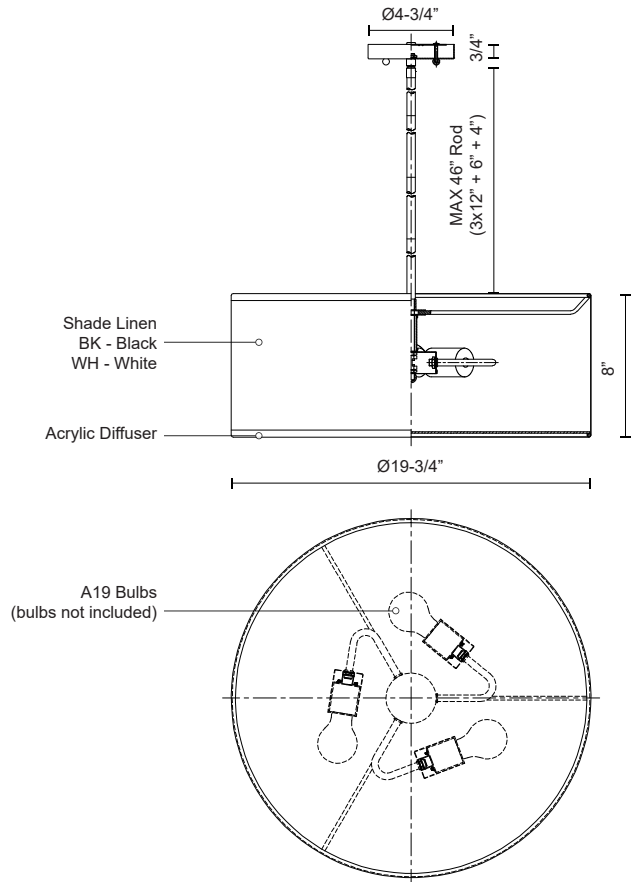
Fixture Dimensions	D19-3/4" x H8"
Lamp Type	Incandescent, A19, Medium Base
Wattage	3 x 60W
Voltage	120V
Diffuser Details	White Acrylic Diffuser
Shade Details	Textured Linen Shade
Adjustable	Yes
Rod Length	46" Max (3x12" + 1x6" + 1x4")
Minimum Hang Height	15"
Product Adaptor	ADP002BN, Sold Separately
Location	Dry
Bulbs Included	No
Canopy Dimensions	D4-3/4" x H3/4"
Paint Finish	BN01; WH03;

* For custom options, consult factory for details.

* For warranty information, please visit www.kuzcolighting.com/warranty

DESCRIPTION

Three lamp pendant with a round drum shape textured linen shade in your choice of two colors, acrylic bottom diffuser. Metal details in brushed nickel.



KUZCO

CANADA: 19054 28TH AVENUE - SURREY, BC V3Z 6M3

USA: 3035 E. LONE MOUNTAIN ROAD - LAS VEGAS, NV 89081

WWW.KUZCOLIGHTING.COM

© 2010 KUZCO LIGHTING. ALL RIGHTS RESERVED.

COMMENT

